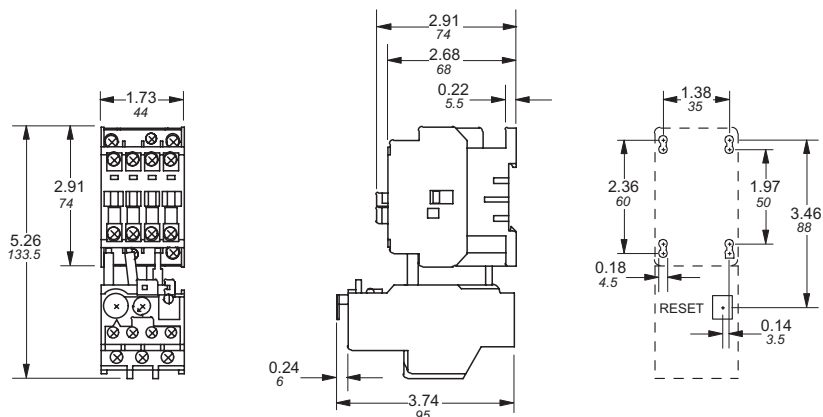


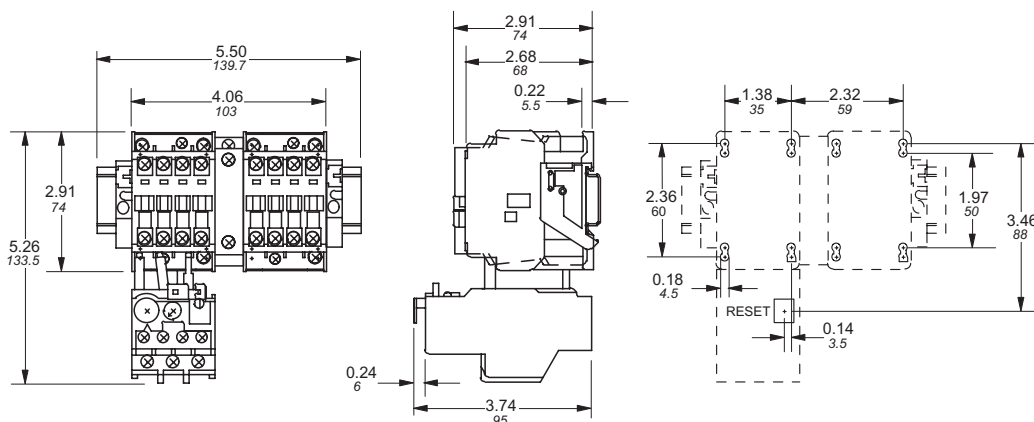
Approximate dimensions AC/DC operated, 3 pole A/AE9 – A/AE16

00.00 Inches
00.00 (Millimeters)

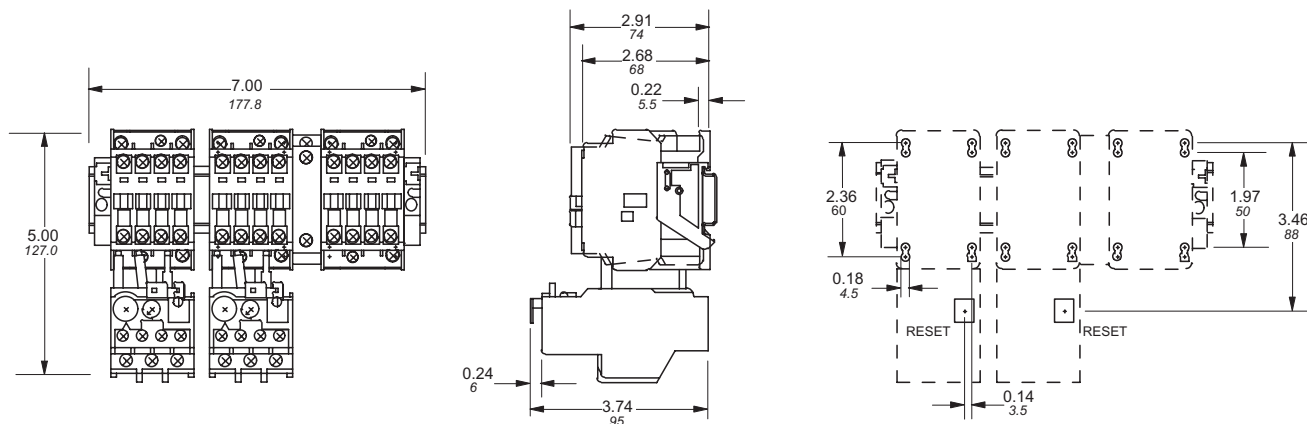
A/AE9 – A/AE16 + TA25 — Starter



A/AE9 – A/AE16 + VM5 or VE5 + TA25 — Reversing starter



A/AE9 – A/AE16 — 2 Speed, 1 winding starter

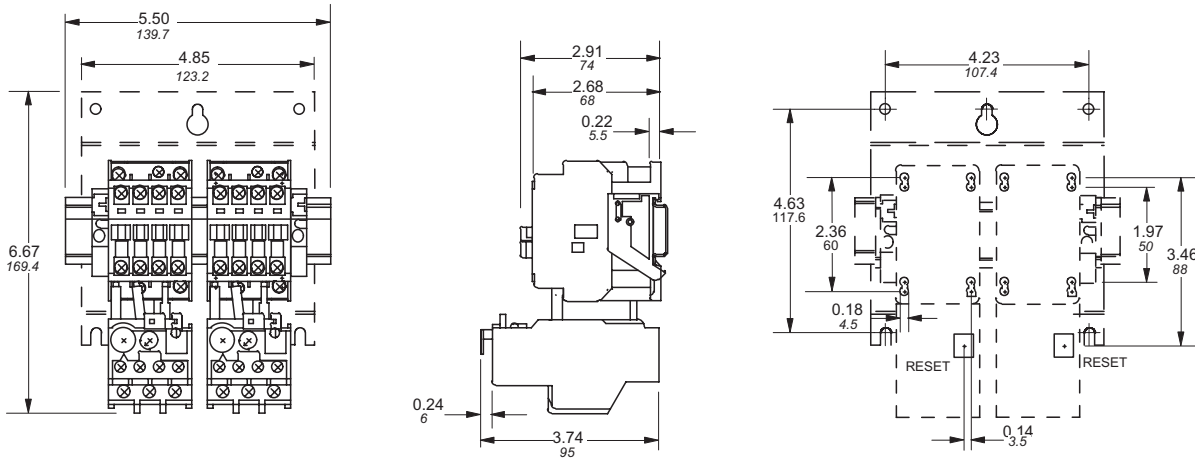


Approximate dimensions
AC/DC operated, 3 pole
A/AE9 – A/AE26

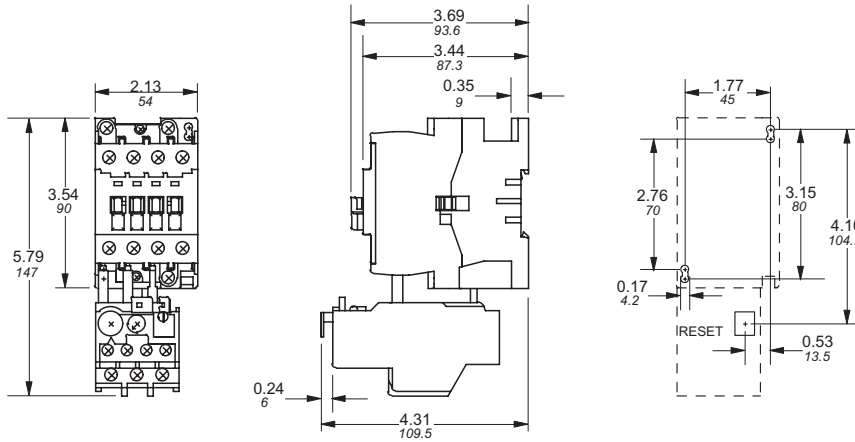
← 00.00 → Inches
00.00 [Millimeters]

A/AE9 – A/AE16 — 2 Speed, 2 winding starter

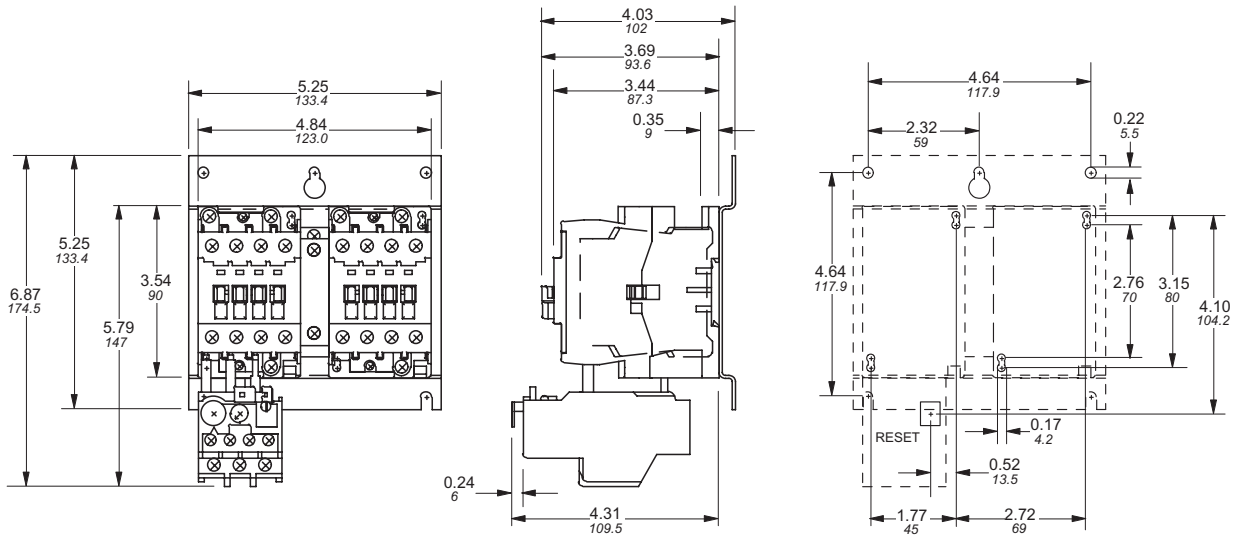
3



A/AE26 + TA25 — Starter



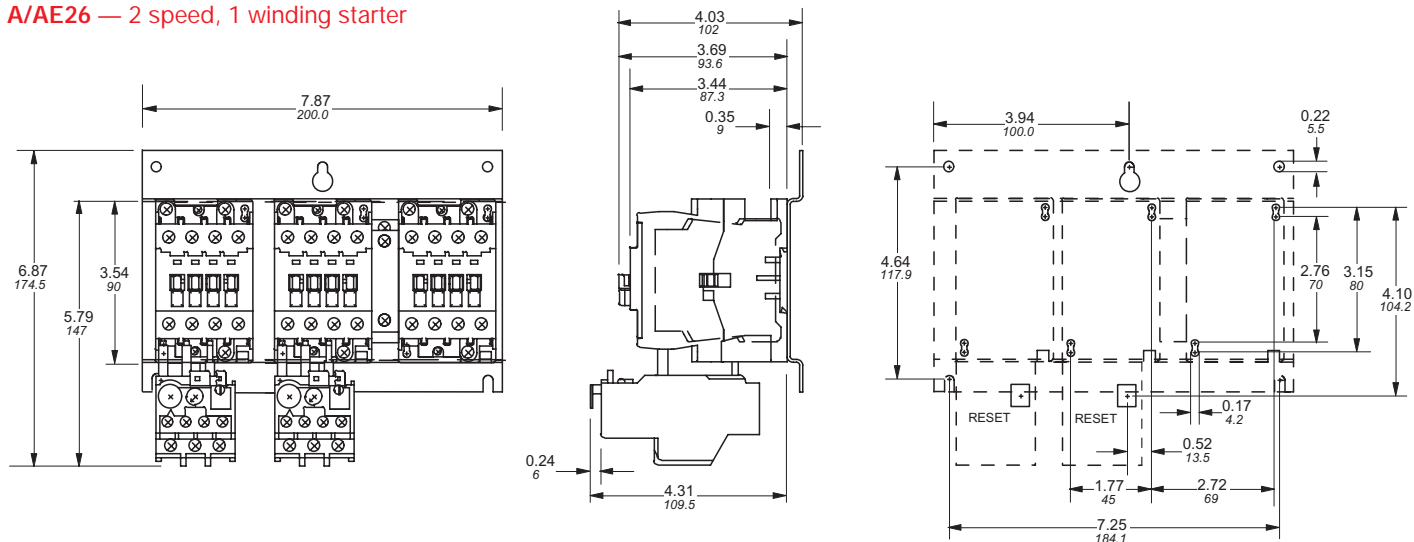
A/AE26 + VM5 or VE5 + TA25 — Reversing starter



Approximate dimensions AC/DC operated, 3 pole A/AE26 to A/AE40

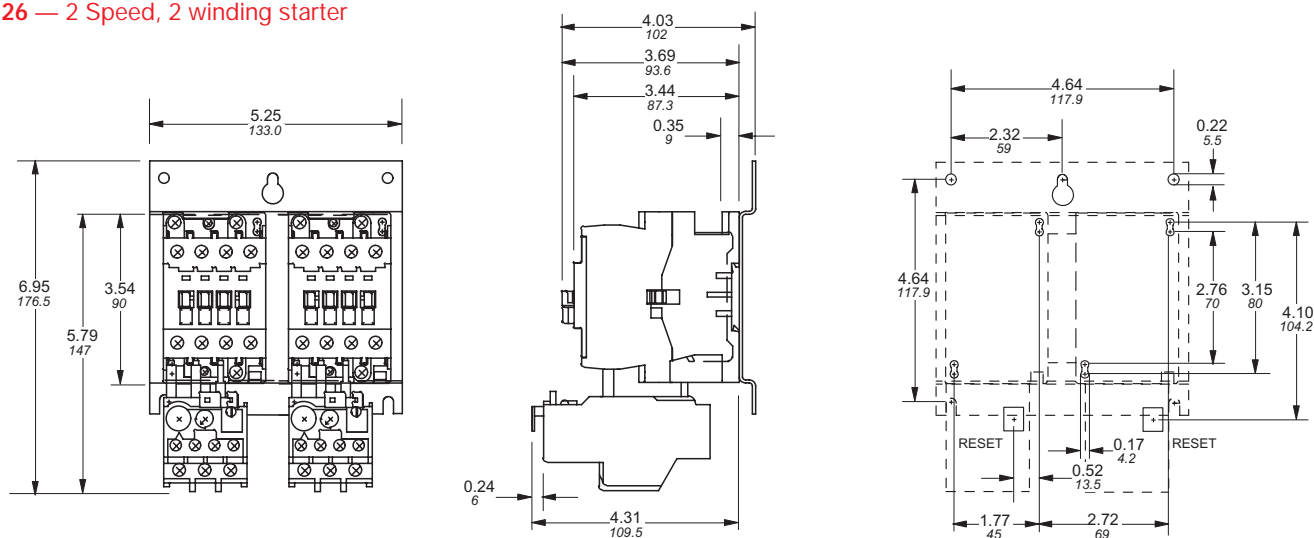
00.00 — Inches
00.00 — (Millimeters)

A/AE26 — 2 speed, 1 winding starter

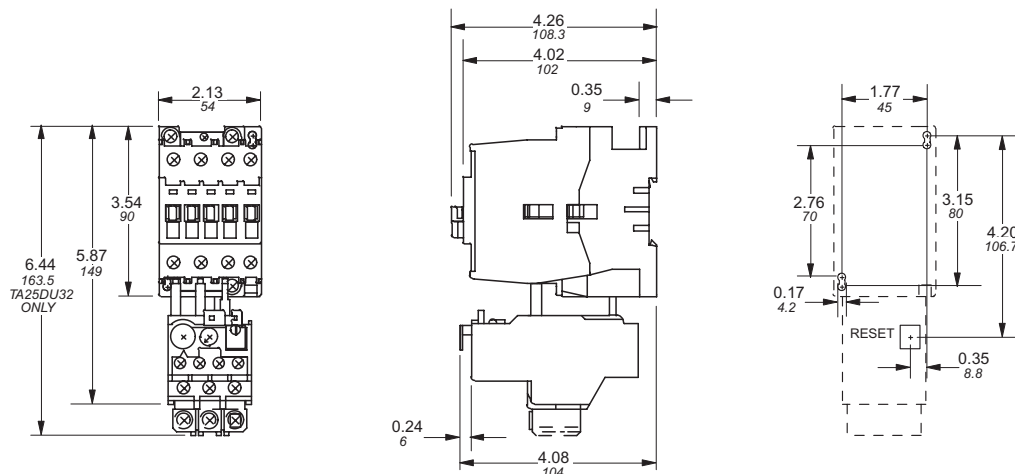


3

A/AE26 — 2 Speed, 2 winding starter



A/AE30 & A/AE40 + TA25 — Starter

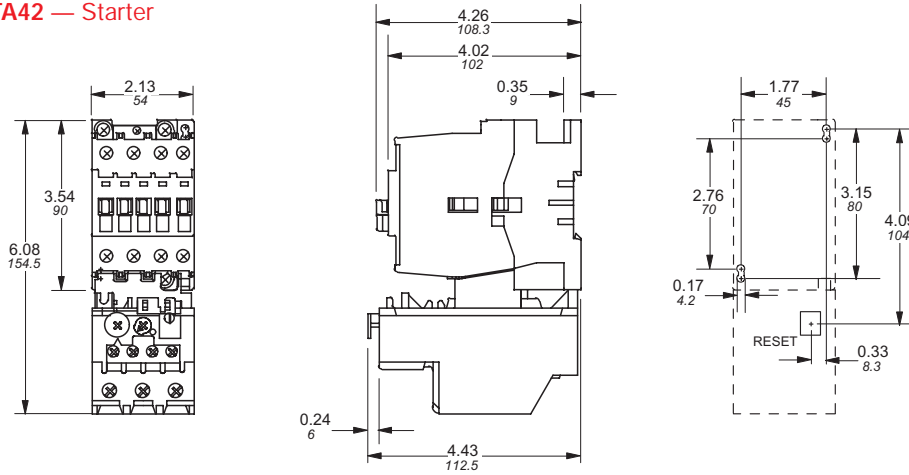


Approximate dimensions AC/DC operated, 3 pole A/AE30 – A/AE40

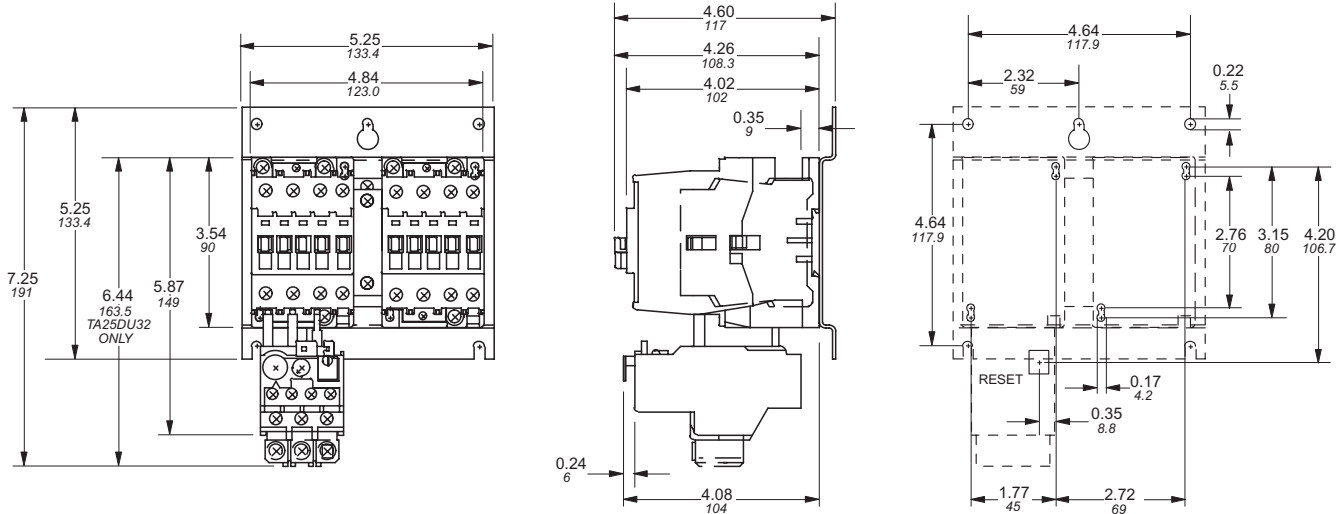
← 00.00 → Inches
00.00 [Millimeters]

A/AE30 & A/AE40 + TA42 — Starter

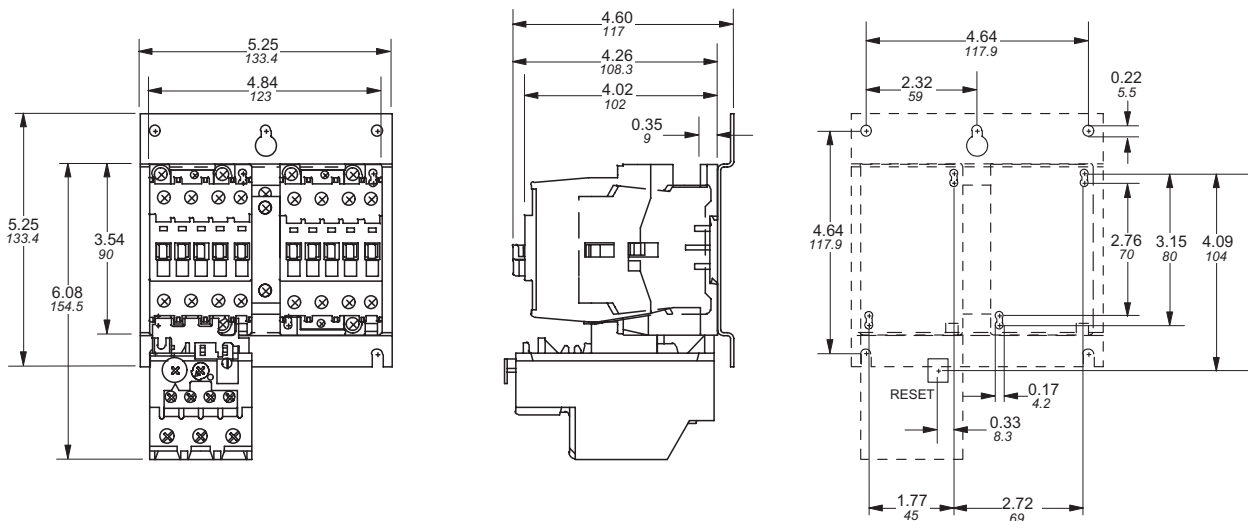
3



A/AE30 & A/AE40 + VM5 or VE5 + TA25 — Reversing starter



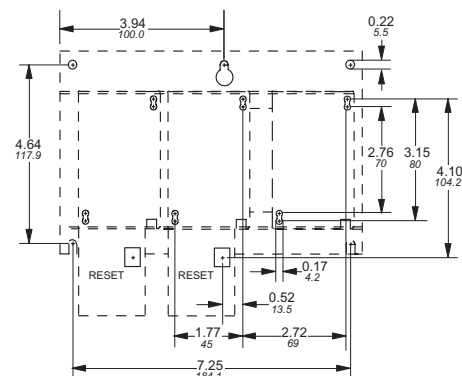
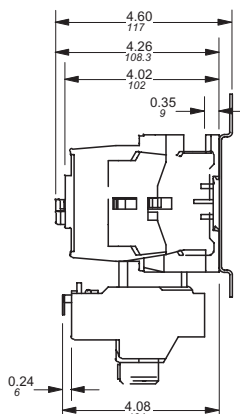
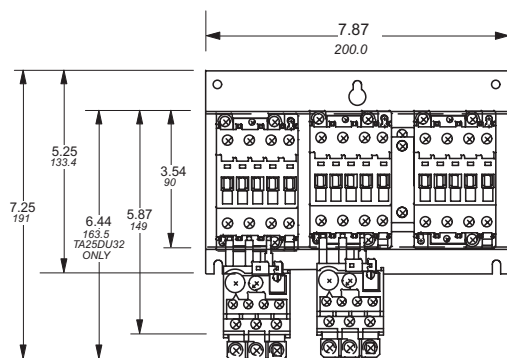
A/AE30 & A/AE40 + VM5 or VE5 + TA42 — Reversing starter



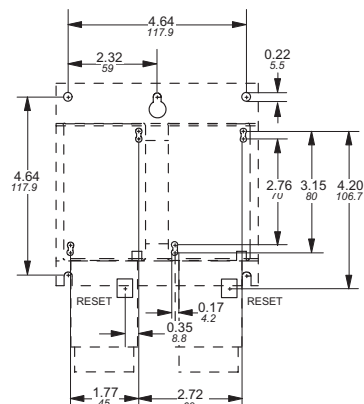
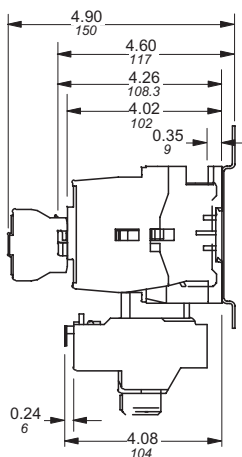
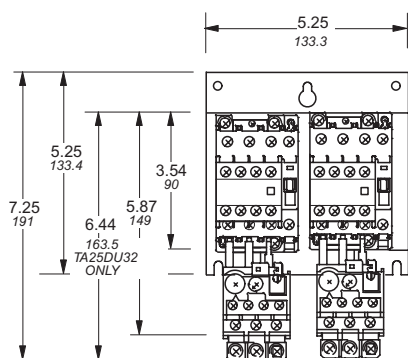
Approximate dimensions AC/DC operated, 3 pole A/AE30 – A/AE75

00.00 Inches
00.00 (Millimeters)

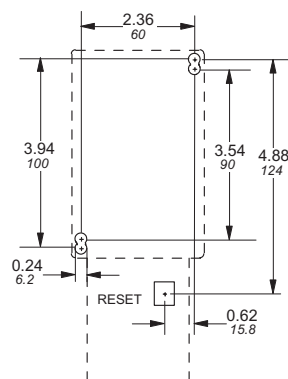
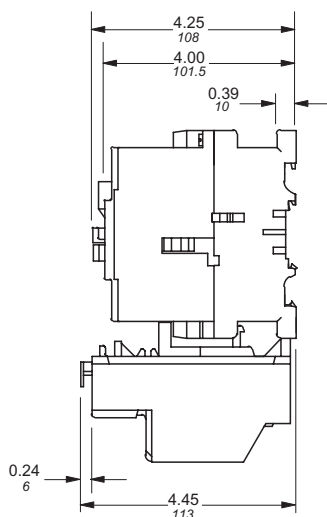
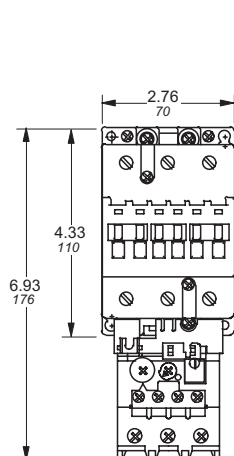
A/AE30 & A/AE40 — 2 Speed, 1 winding starter



A/AE30 & A/AE40 — 2 Speed, 2 winding starter



A/AE50 – A/AE75 + TA75 — Starter

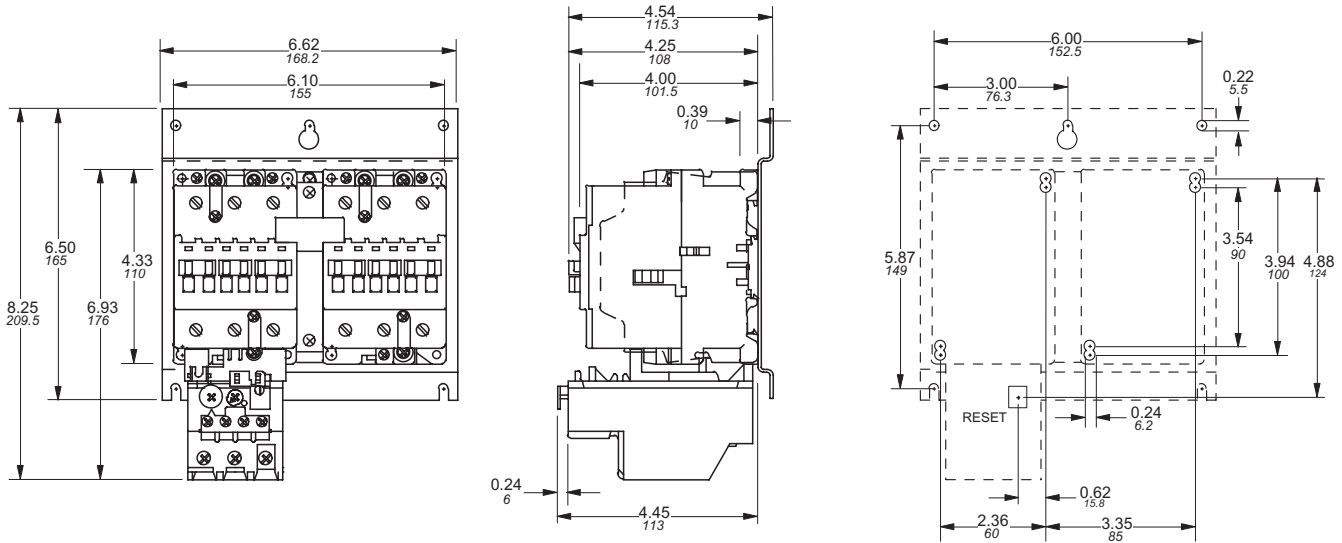


Approximate dimensions
AC/DC operated, 3 pole
A/AE50 – A/AE75

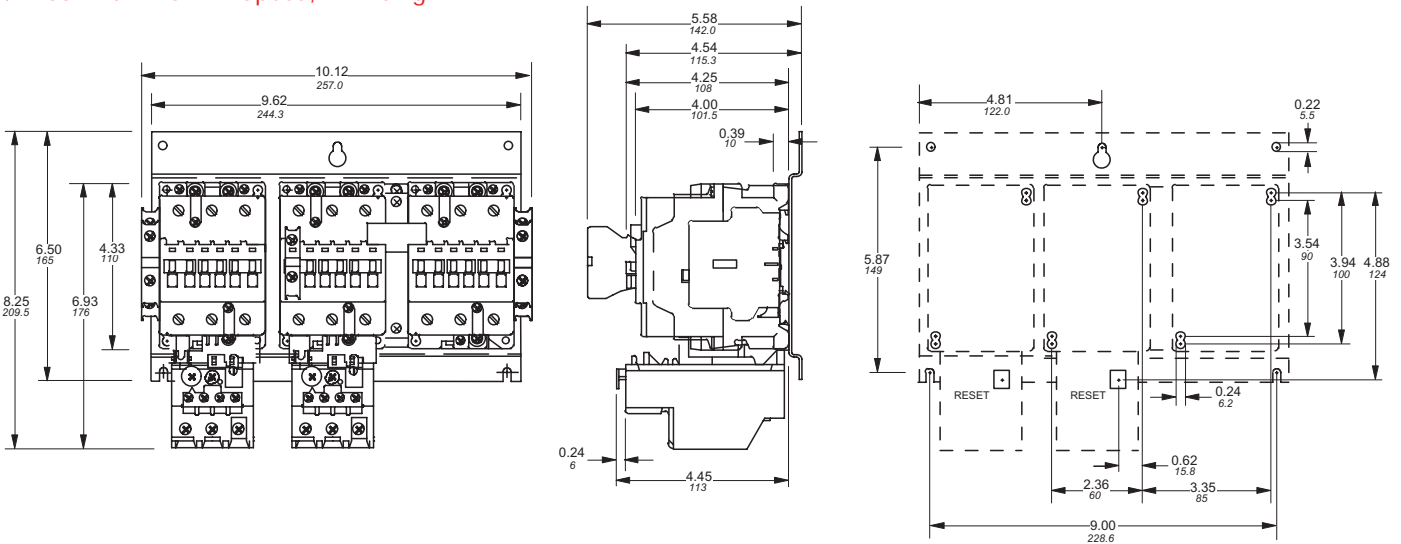
← 00.00 → Inches
00.00 [Millimeters]

A/AE50 – A/AE75 + VM5 or VE5 + TA75 — Reversing starter

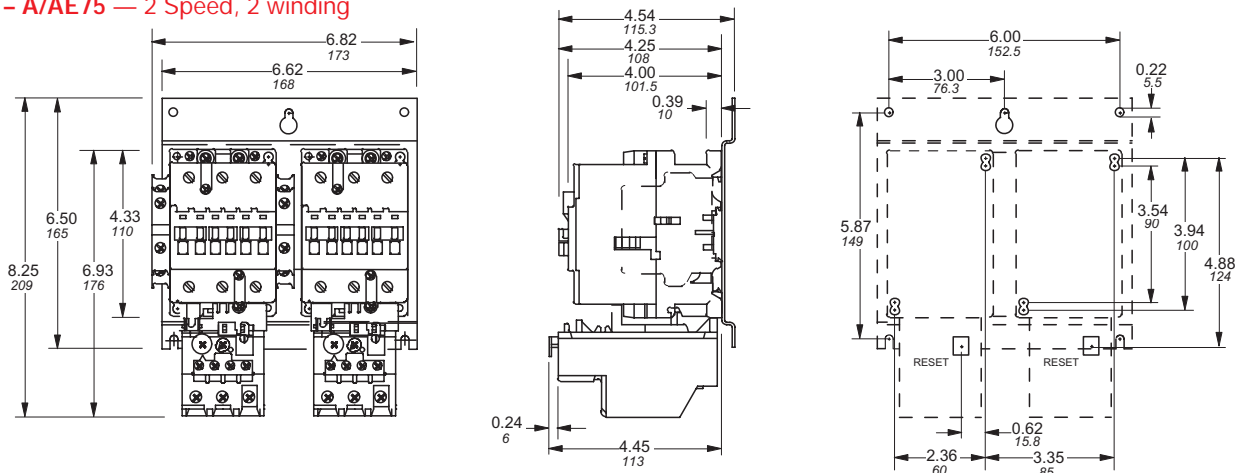
3



A/AE50 – A/AE75 — 2 Speed, 1 winding



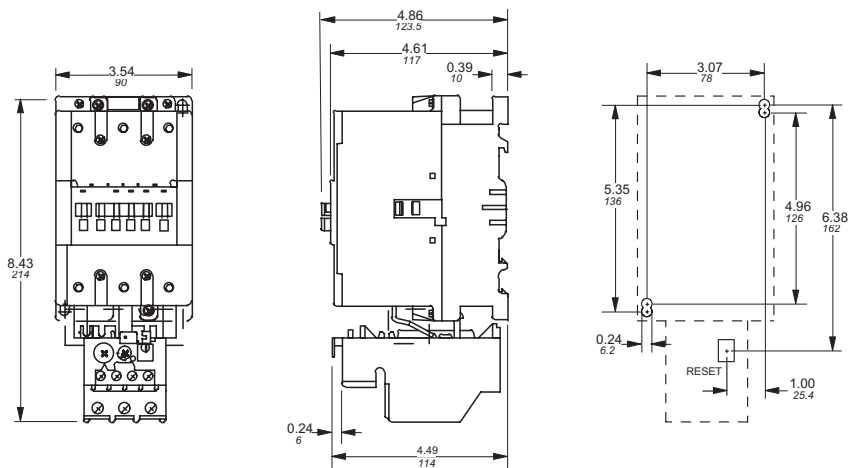
A/AE50 – A/AE75 — 2 Speed, 2 winding



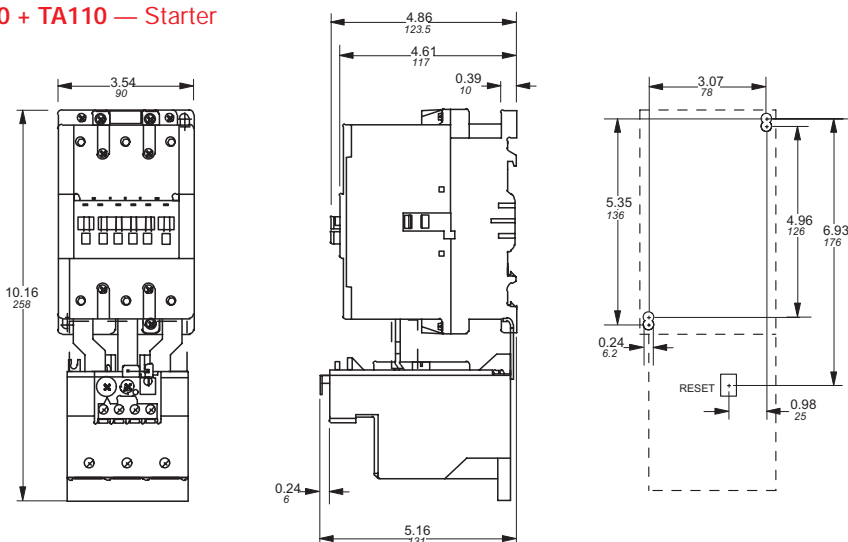
Approximate dimensions AC/DC operated, 3 pole A/AE/AF95 & A/AE/AF110

00.00 Inches
00.00 (Millimeters)

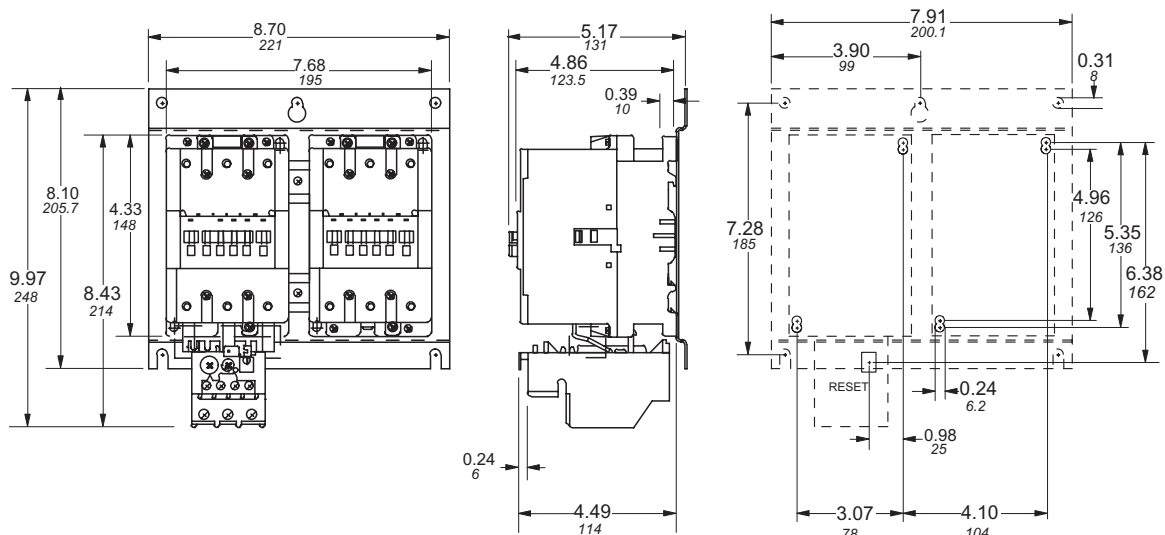
A/AE/AF95 & A/AE/AF110 + TA80 — Starter



A/AE/AF95 & A/AE/AF110 + TA110 — Starter



A/AE/AF95 & A/AE/AF110 + VE5 + TA80 — Reversing starter

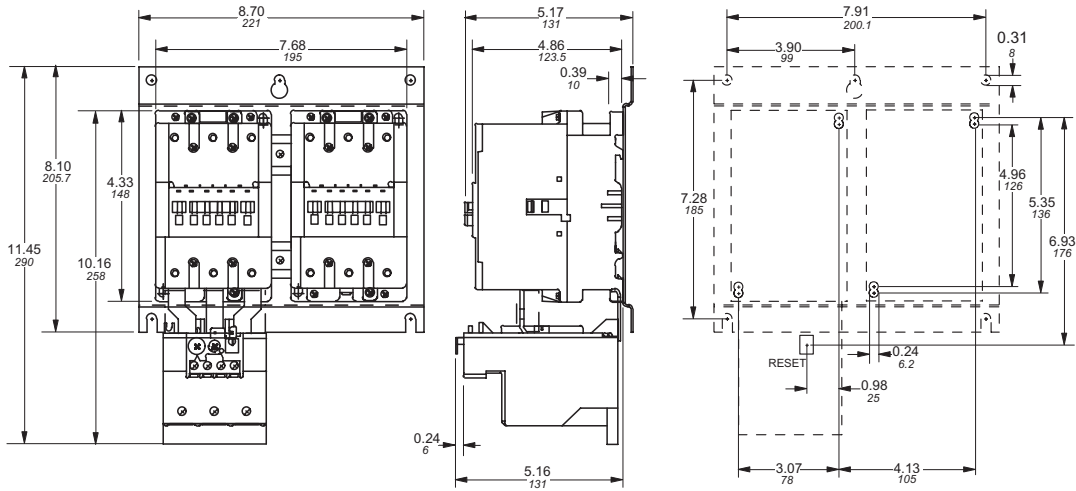


Approximate dimensions
AC/DC operated, 3 pole
A/AE/AF95 & A/AE/AF110

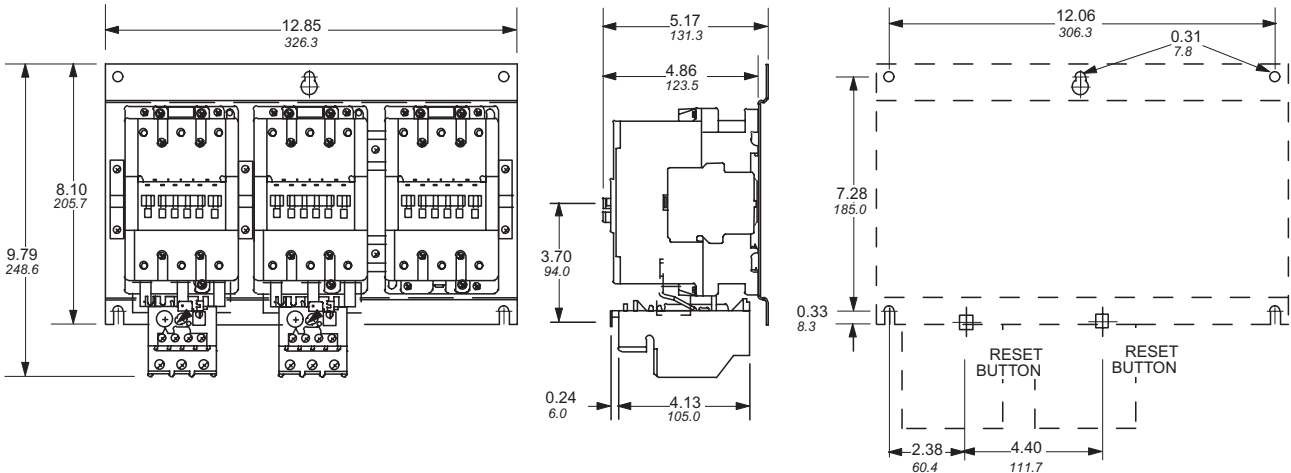
← 00.00 → Inches
00.00 [Millimeters]

A/AE/AF95 & A/AE/AF110 + VE5 + TA110 — Reversing starter

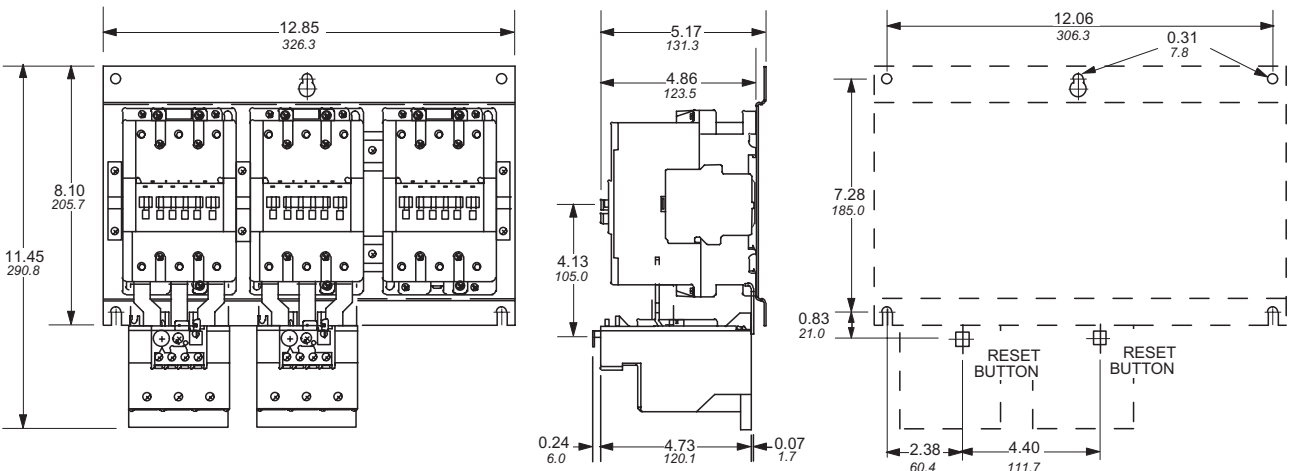
3



A/AE/AF95 & A/AE/AF110 + TA80 — 2 Speed, 1 winding starter



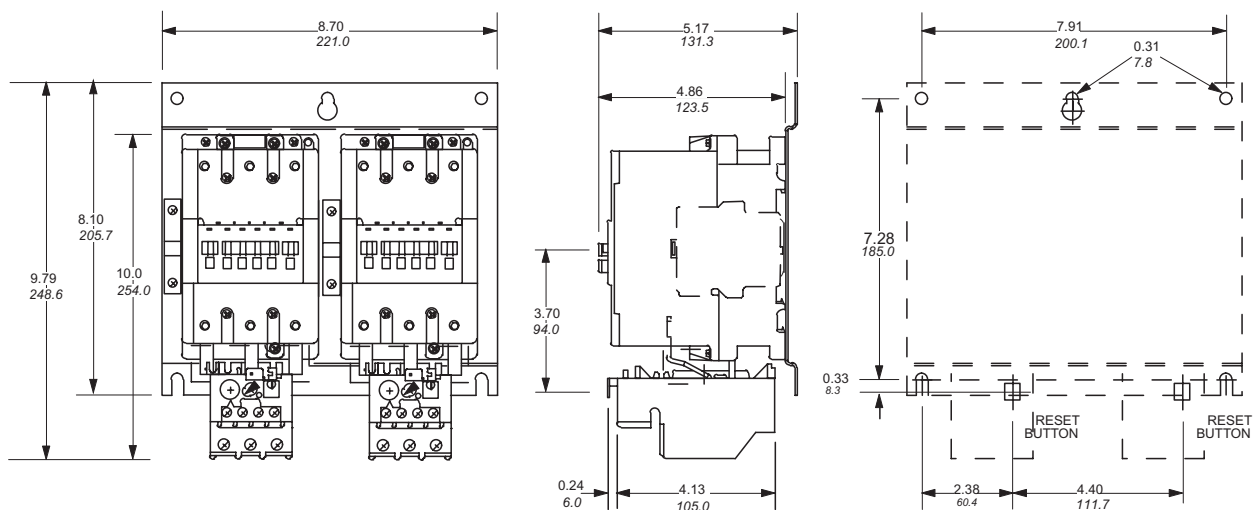
A/AE/AF95 & A/AE/AF110 + TA110 — 2 Speed, 1 winding starter



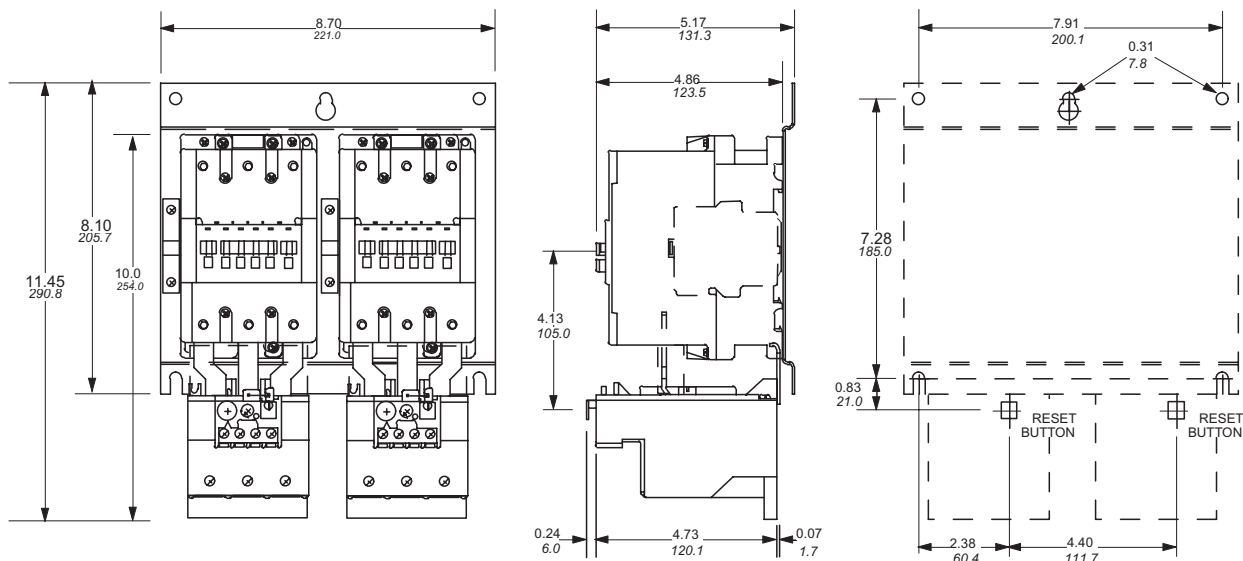
Approximate dimensions AC/DC operated, 3 pole A/AE/AF95 & A/AE/AF110

00.00 Inches
00.00 (Millimeters)

A/AE/AF95 & A/AE/AF110 + TA80 — 2 Speed, 2 winding starter



A/AE/AF95 & A/AE/AF110 + TA110 — 2 Speed, 2 winding starter

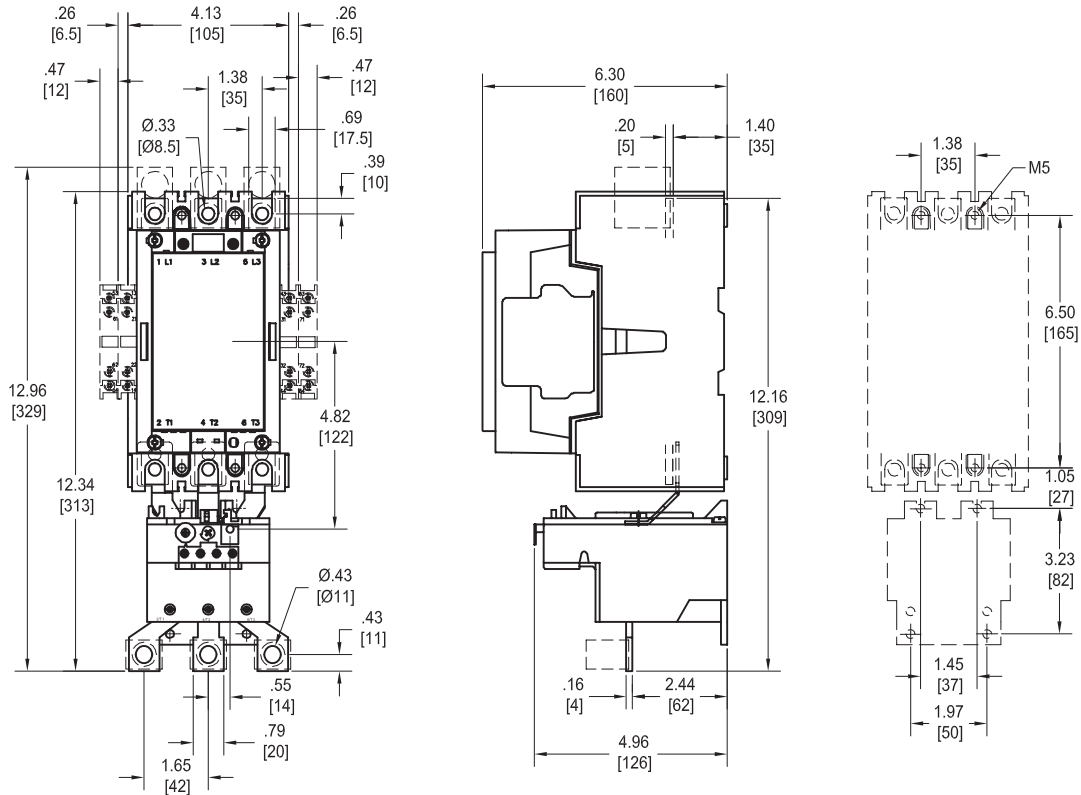


Approximate dimensions AC/DC operated, 3 pole A/AF145 & A/AF185

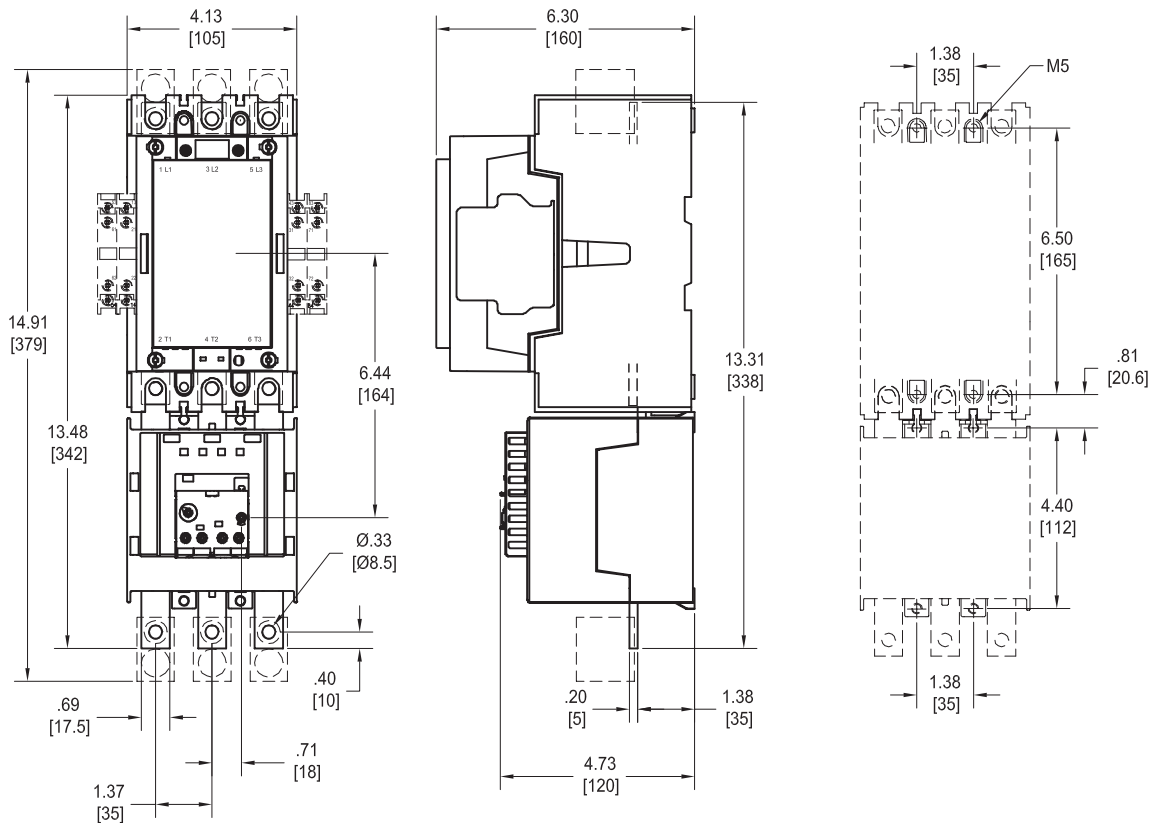
← 00.00 → Inches
00.00 [Millimeters]

A/AF145 - A/AF185 + TA200 — Starter

3



A/AF145 - A/AF185 + E200 — Starter

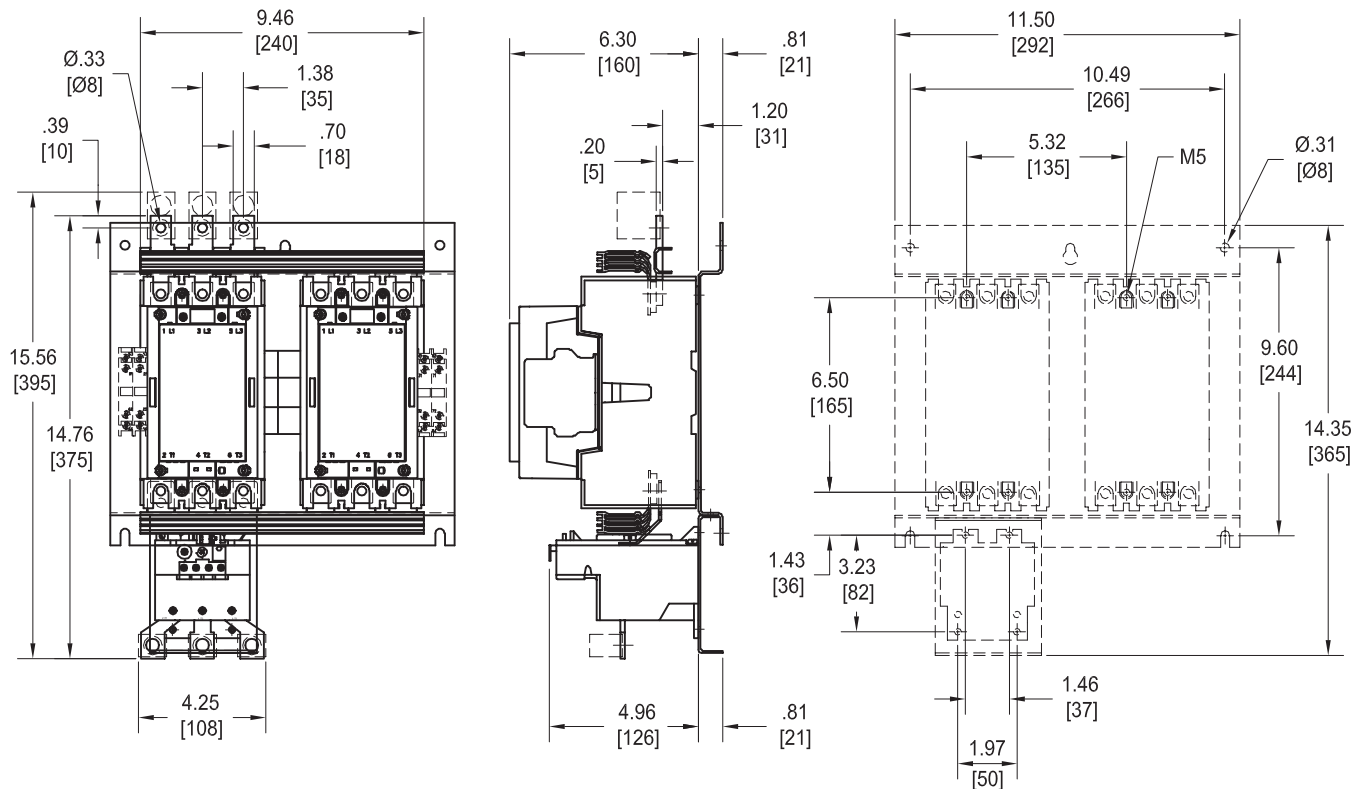


Approximate dimensions AC/DC operated, 3 pole A/AF145 & A/AF210

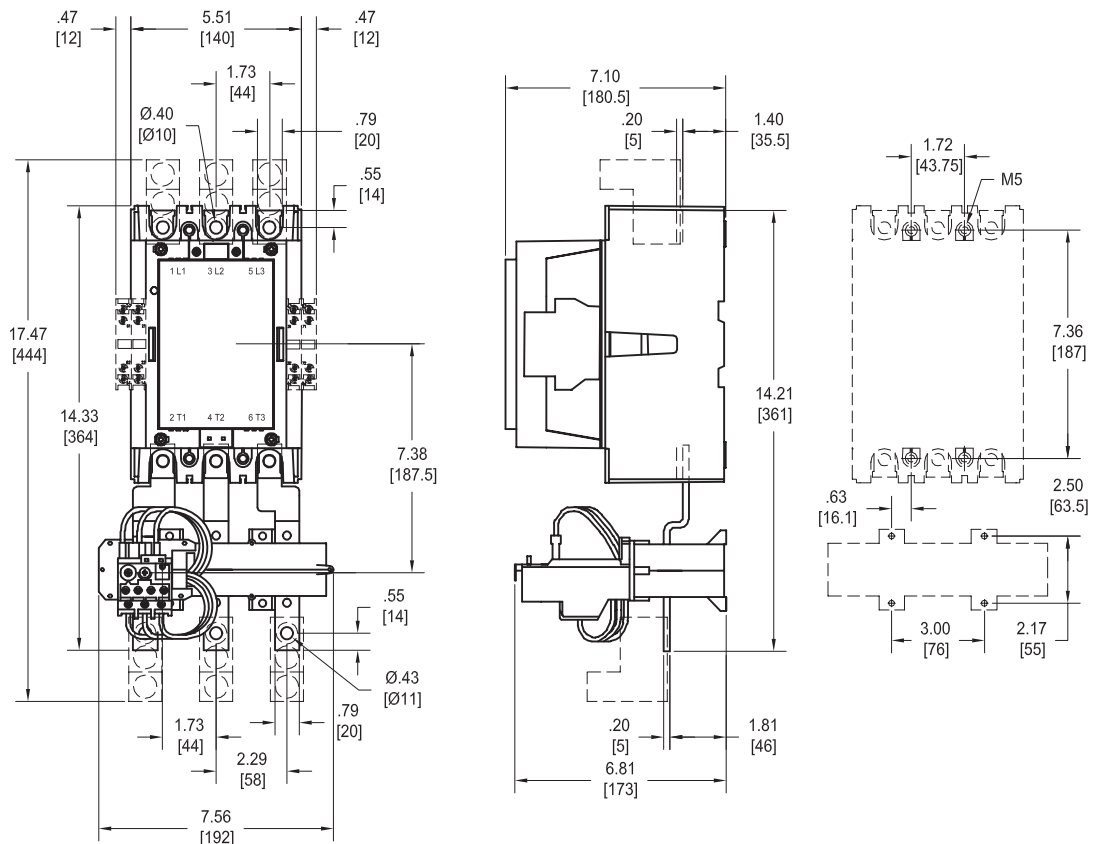
00.00 — Inches
00.00 — (Millimeters)

A/AF145 – A/AF185 + TA200 – Reversing starter

3



A210 – A300 + TA450

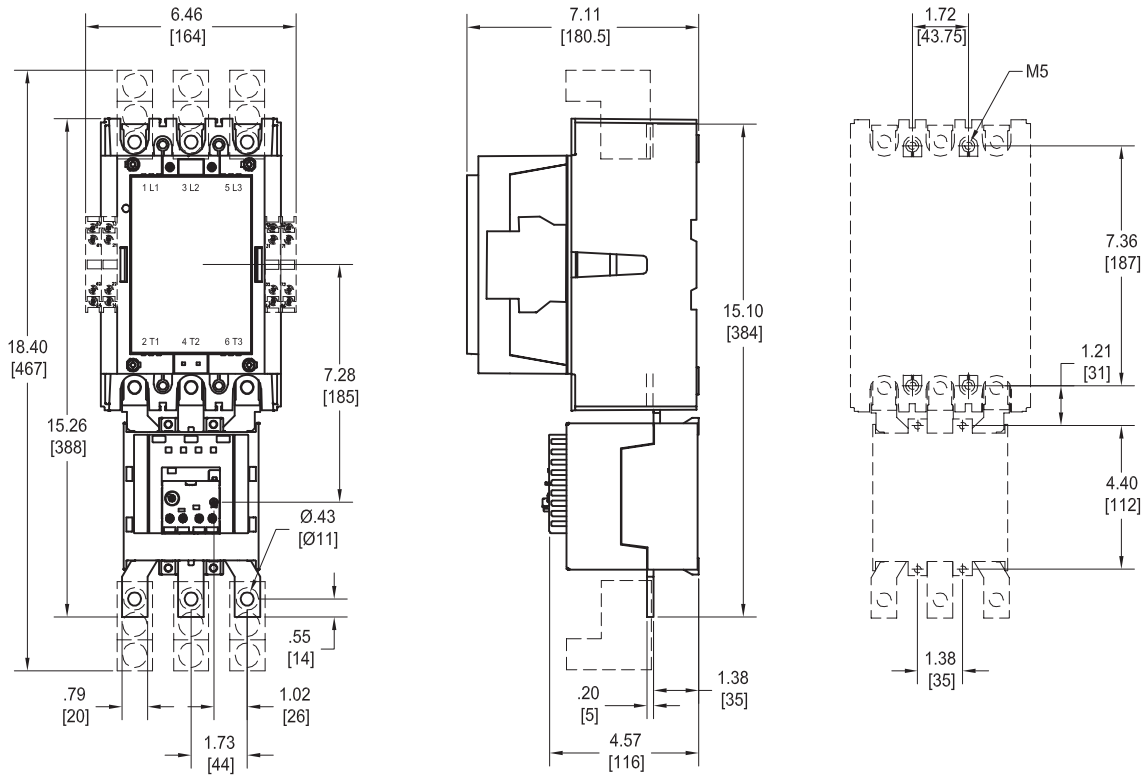


Approximate dimensions AC/DC operated, 3 pole A/AF210

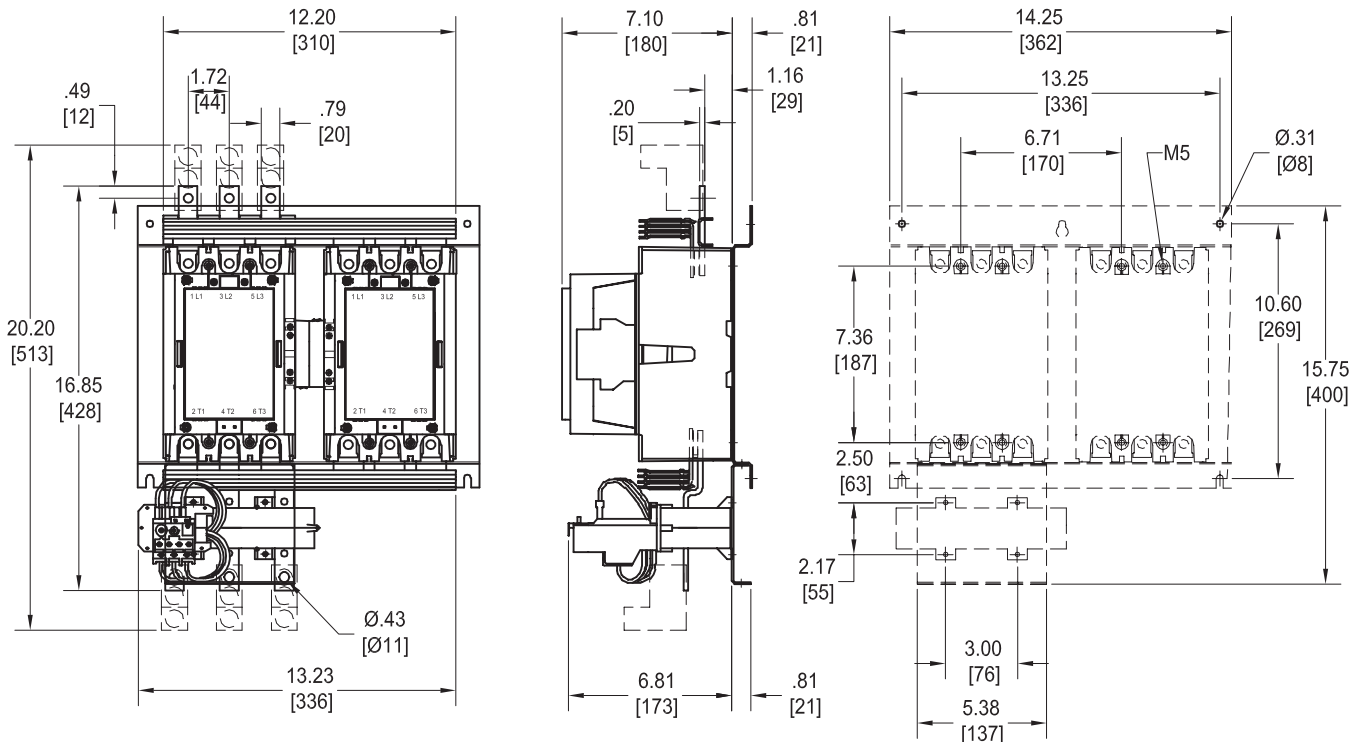
00.00 Inches
00.00 [Millimeters]

A210 - A300 + E320

3



A210 - A300 + TA450 - Reversing starter

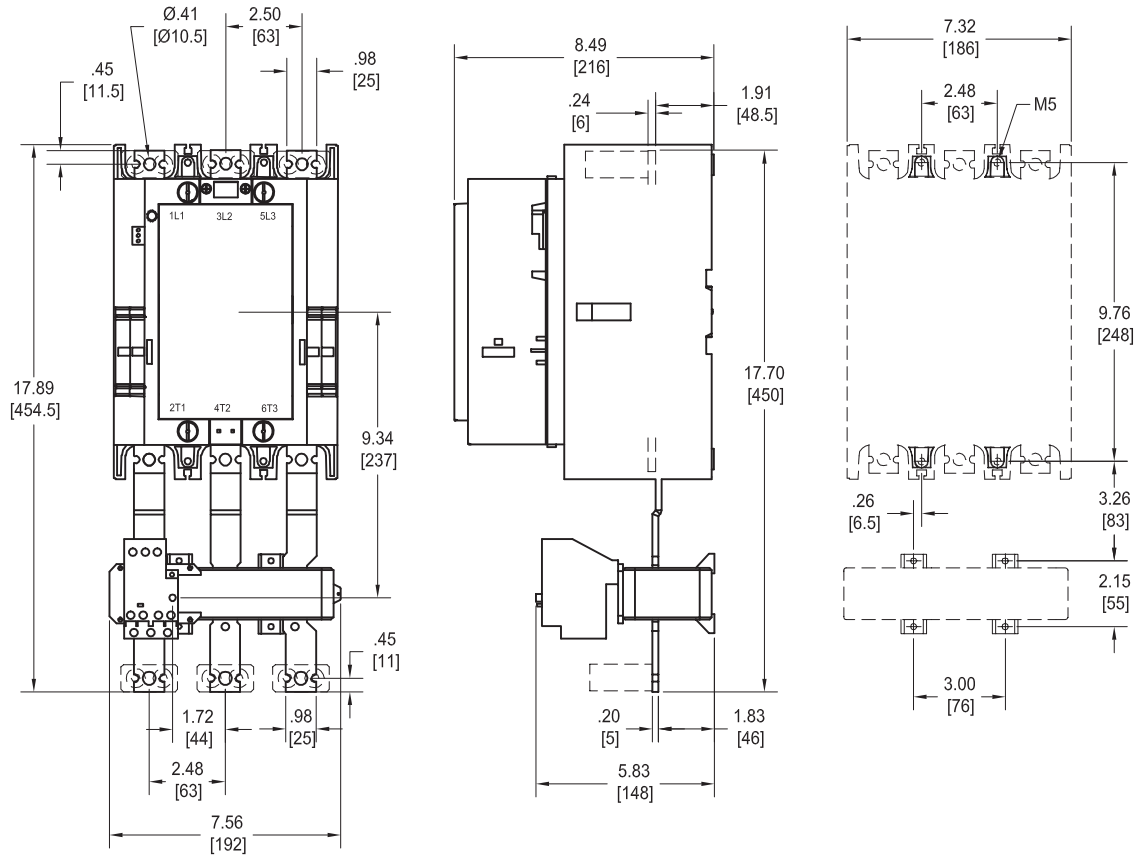


Approximate dimensions
 AC/DC operated, 3 pole
 A/AF400 & A/AF460

Across the
 Line Starters

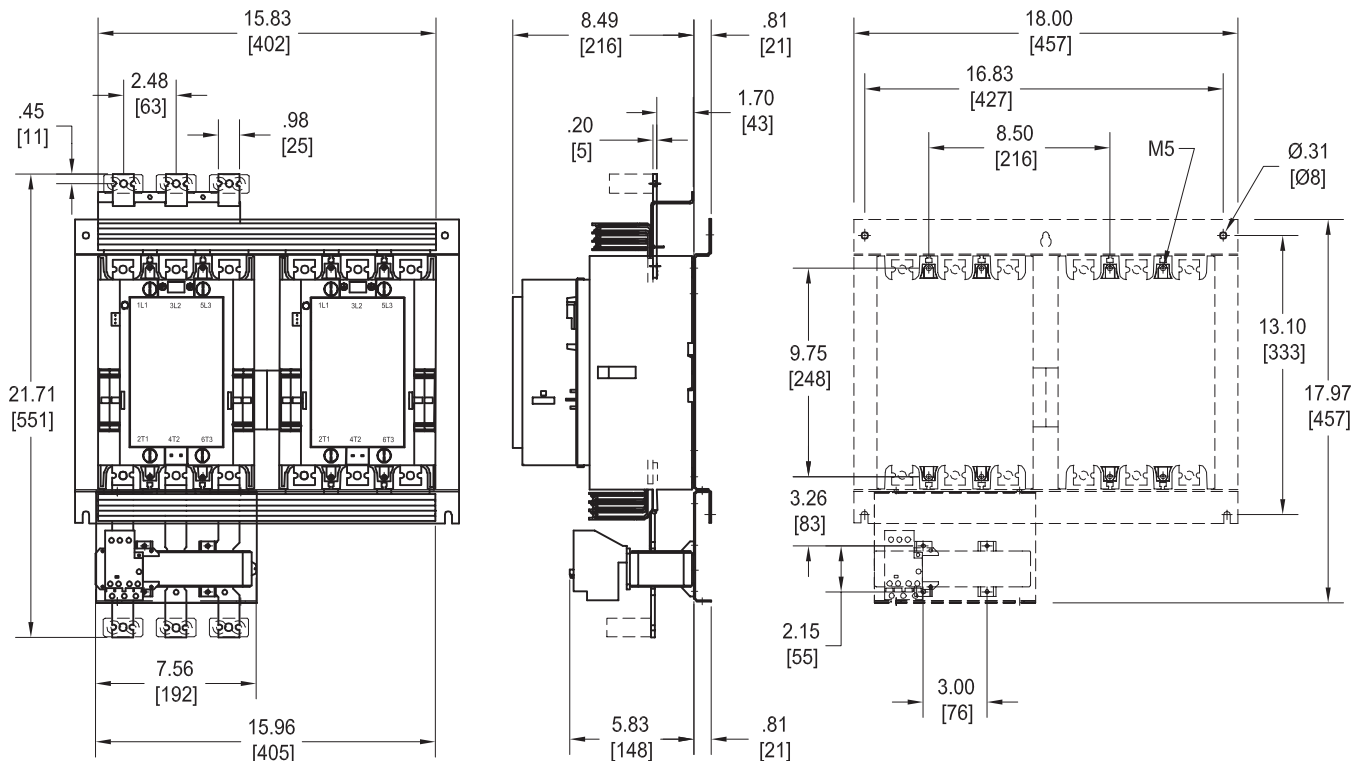
00.00 Inches
 00.00 (Millimeters)

AF400 – AF460 + E500 — Starter



3

AF400 – AF460 + E500 – Reversing starter

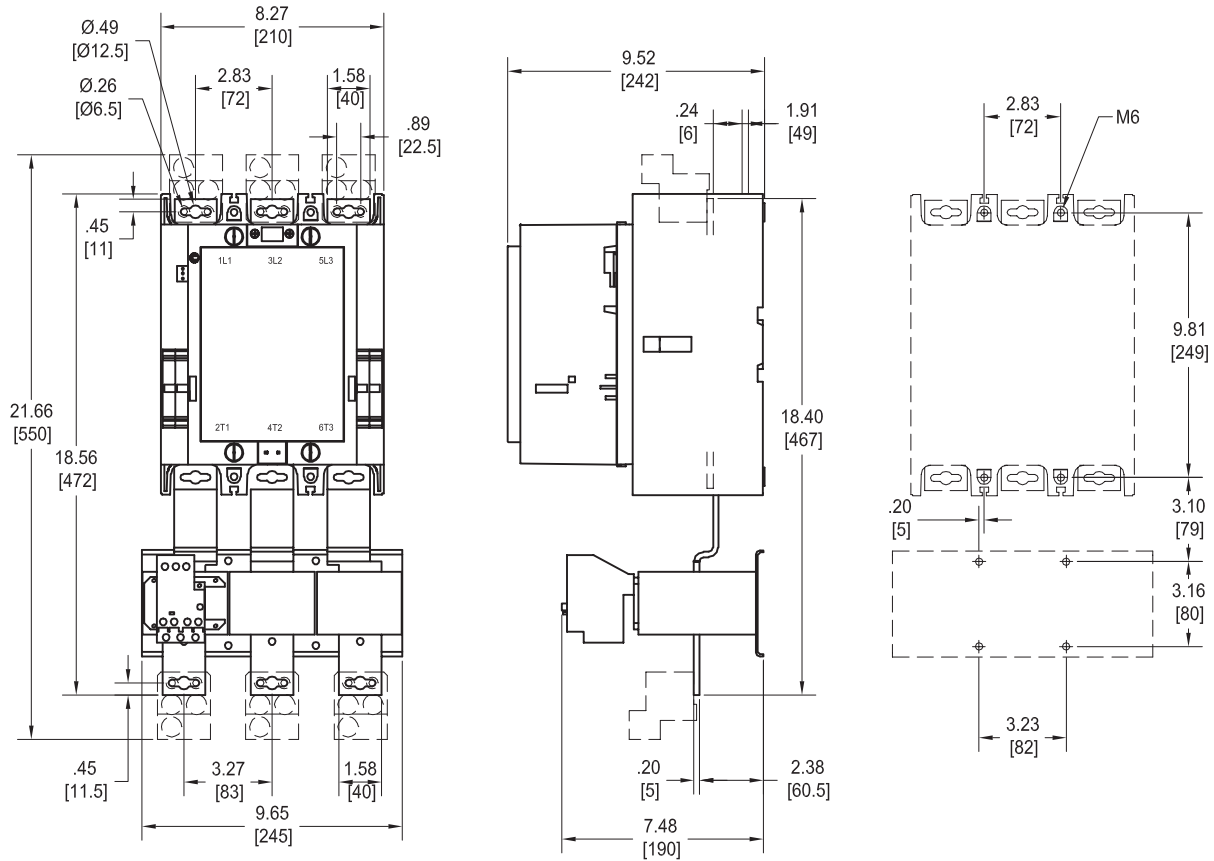


Approximate dimensions AC/DC operated, 3 pole A/AF580 & A/AF750

00.00 Inches
00.00 [Millimeters]

AF580 – AF750 + E800 — Starter

3



AF580 – AF750 + E800 – Reversing starter

